

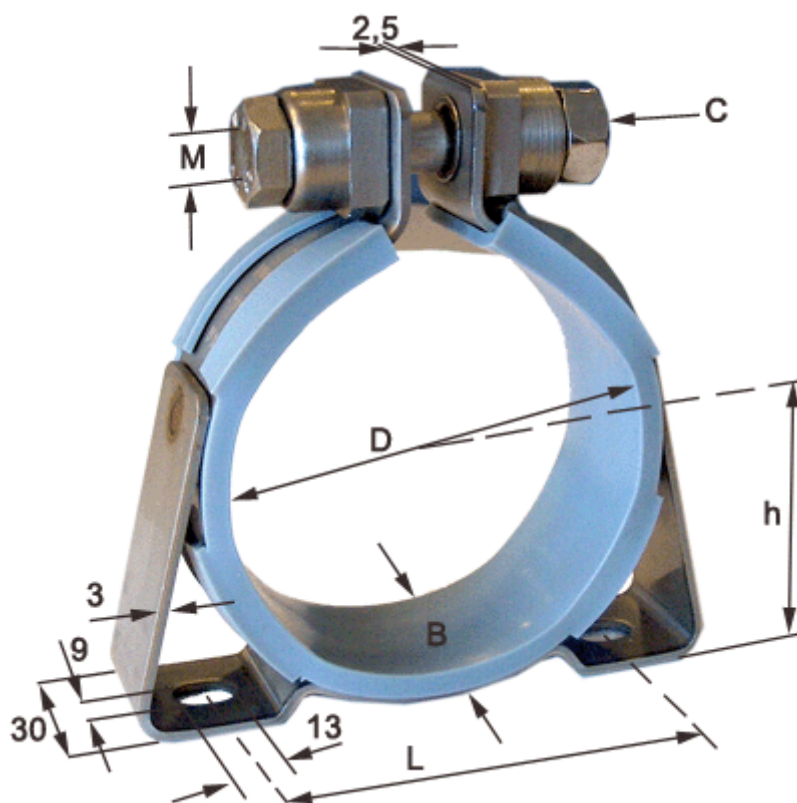
Data Sheet



Article number: 021816011184

Description: Clamp with bracket and rubber
SPGU 6011. 184/30 SK

Measures



C (screw type) = SK hexagon screw

Diameter D = 184

h = 101

L = 148

Width B = 30